

Fence Panel Kit

1 x Post, 1 x Post Cap, 2 x decorative cover inserts,
1x top rail cover, 1 x base rail. 1 x Post Base, 4 x post base bolts & 2 cross bolts, 12 x fence
boards, 2 x fixing clips & 4 screws.

Post Kit 1 x Post, 1 x Post Cap, 2 x decorative cover inserts, 1 x post base, 4 x post base bolts
& 2 cross bolts.

INSTALLATION OF POST BASE

Concrete foundation

1、 Bolt the post base on a flat strong concrete foundation. It is recommended to space 1800mm
apart between 2 post bases, then mark the hole site of the post base.

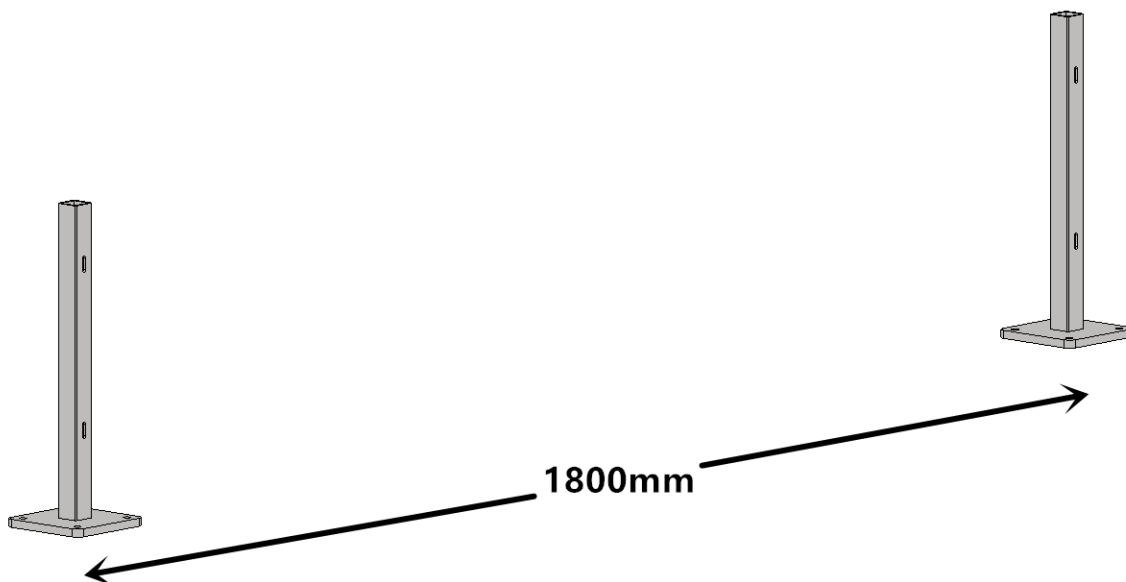


Figure 1

2、 Pre-drilling a Φ 12mm hole, then use the expansion bolt (M8*70) to fix the post
base to the ground.

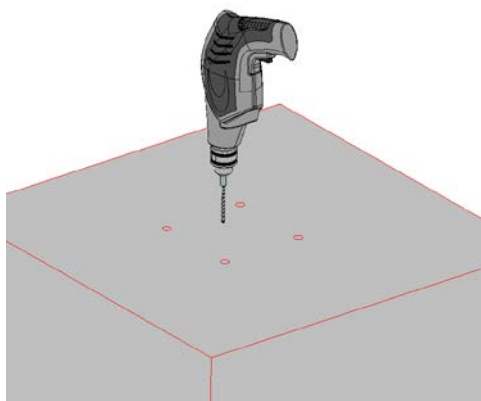


Figure 2

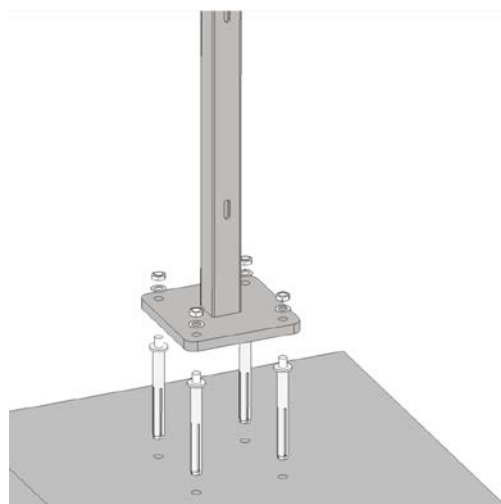


Figure 3

INSTALLATION OF POST

- 1、 Insert the post into the post base as shown in the figure 4.
- 2、 When the post reaches the bottom of the post base, fix the bolt M5*50 to the post (shown in the figure 5). Using small wrench.

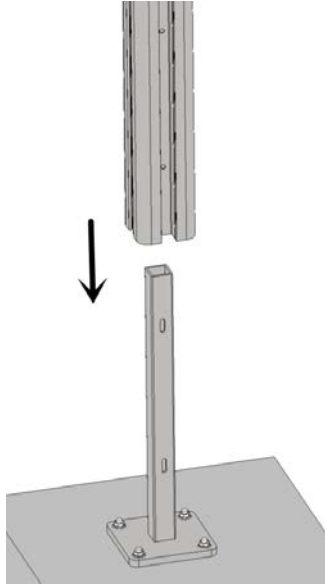


Figure 4

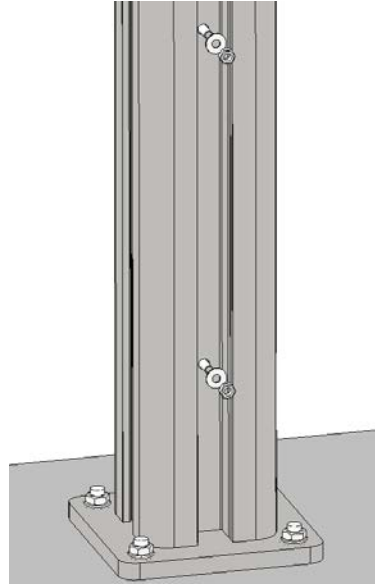


Figure 5

INSTALLATION OF BOTTOM FRAME

Insert the bottom frame into the groove of the post as shown in the figure 6.

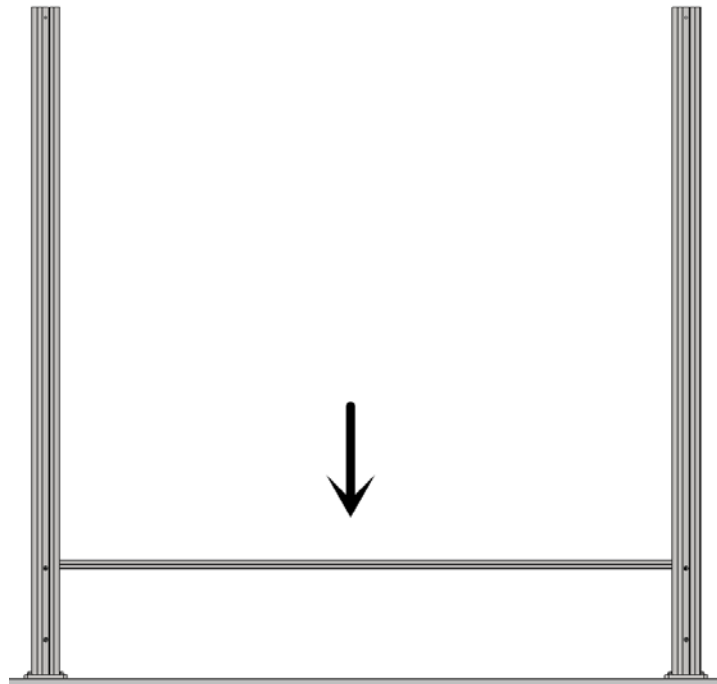


Figure 6

INSTALLATION OF WPC FENCE

Insert the first fence board into the groove of two posts and slide it to the bottom, the other fence boards can be installed one by one (12 fence boards). (Figure 7 & 8)

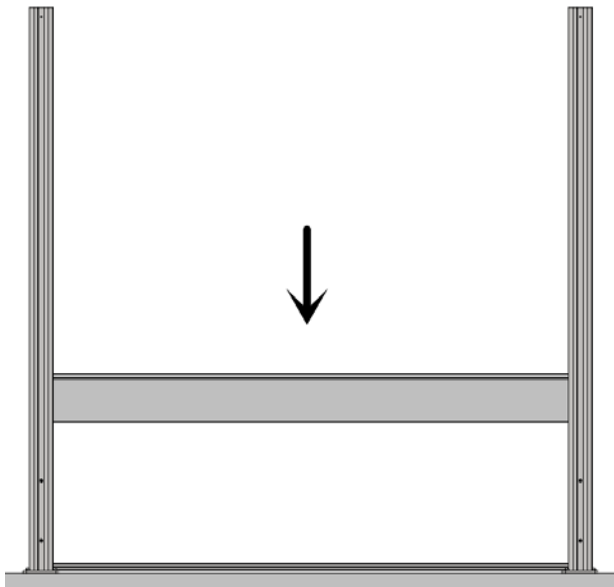


Figure 7

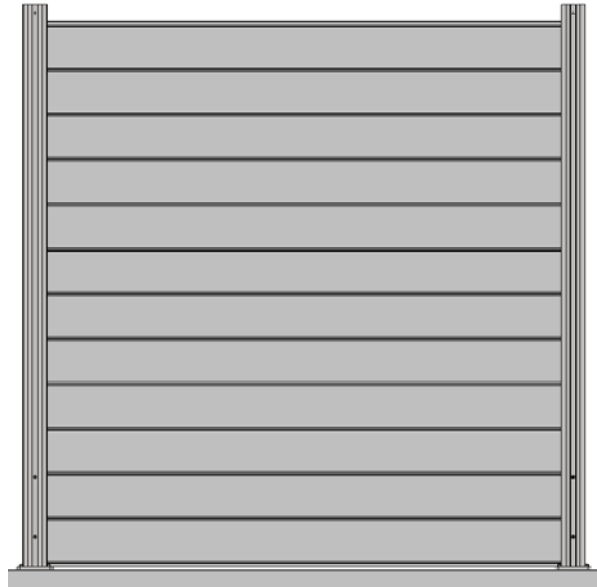


Figure 8

INSTALLATION OF TOP FRAME

Fix the top frame on the top fence board by the bolt M 5*50. (Figure 9 & 10)

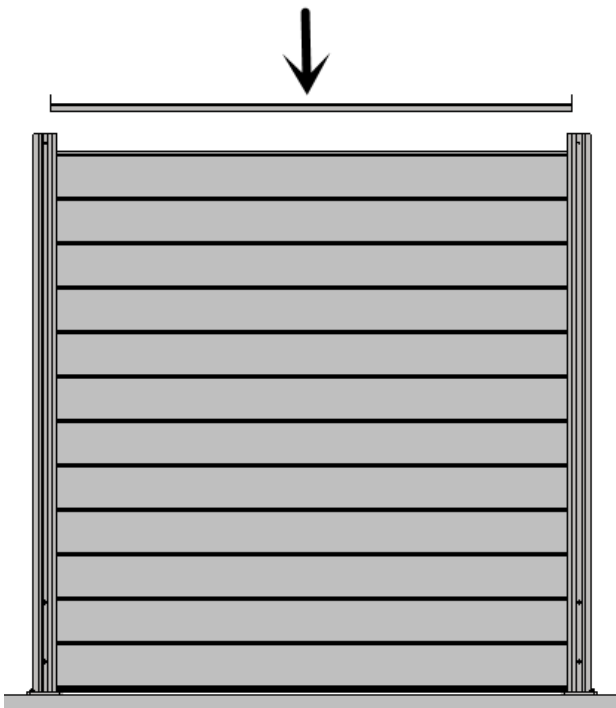


Figure 9

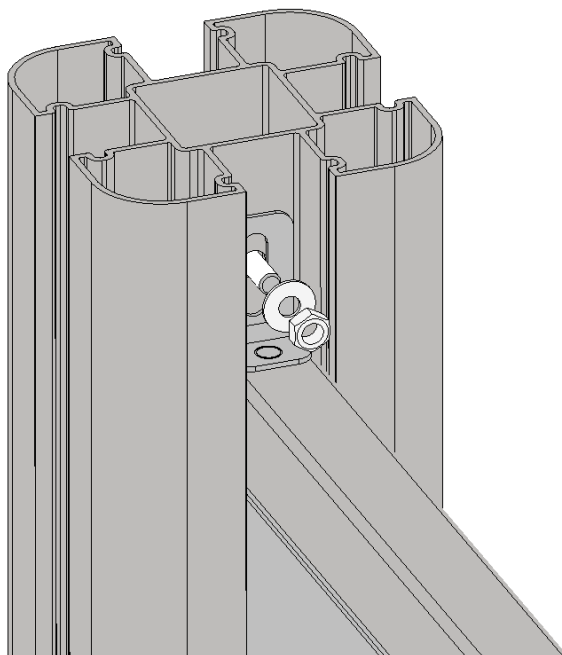


Figure 10

ALUMINIUM POST SIDE COVER and CAP INSTALLATION

Insert the post side cover from the top of post rebate to the bottom of the post, a small suitable size of post side cover can be insert if it's need to cover the gap of post cap and top frame, at last, insert the post cap to the post as shown in the figure 11 and figure 12.

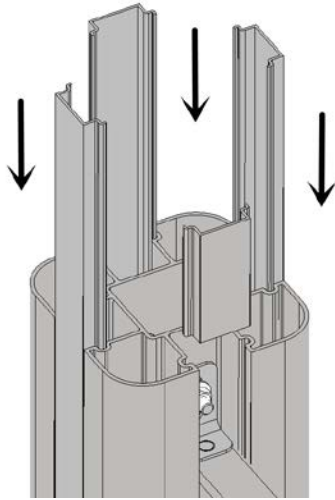


Figure11

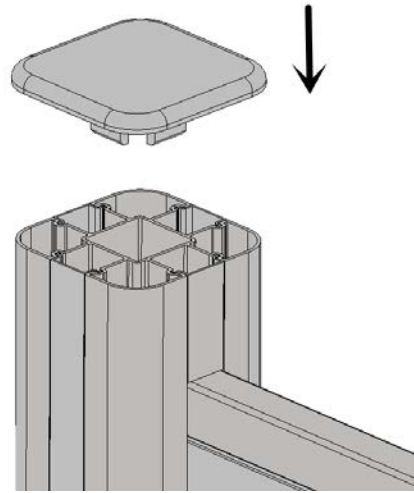


Figure 12

COMPLETE THE FENCE INSTALLATION

The WPC Fence appearance result as shown the figure 13

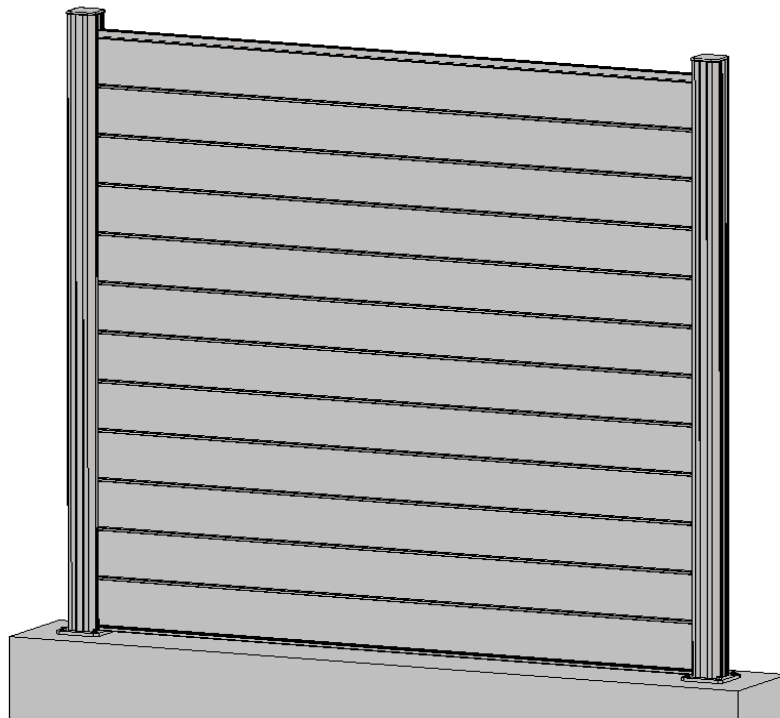


Figure 13