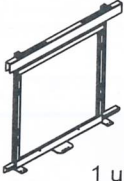

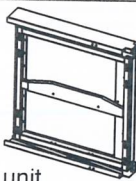
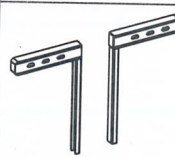
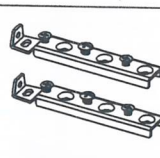
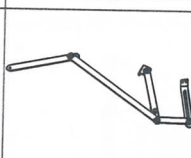
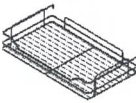
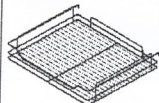








INSTALLATION INSTRUCTION

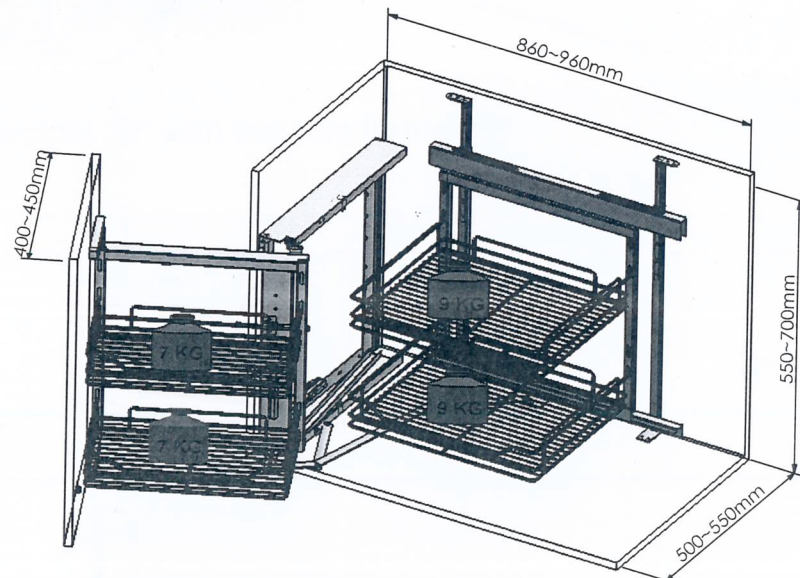
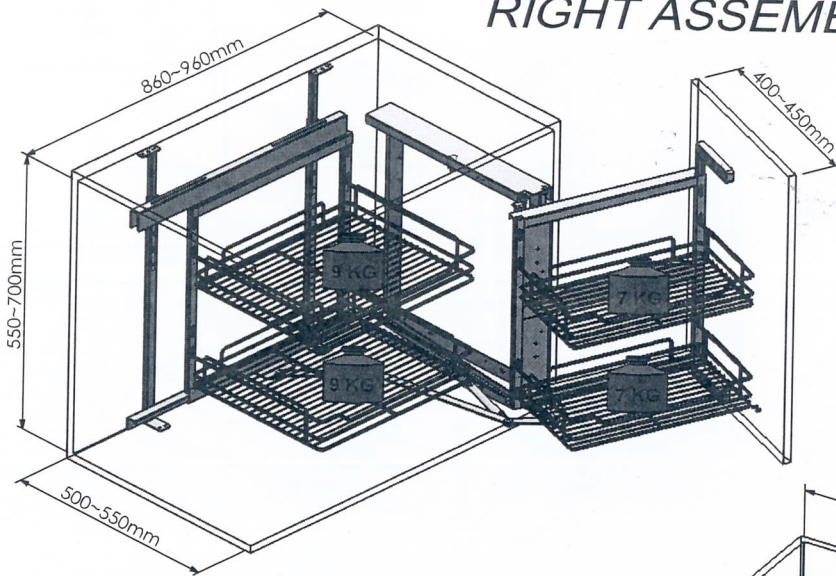
2105025

Including

A	B	C	D	E	F
Back frame	Adjustable rods	Side frame	Door connector	Door steel plate	Articulated arm
					
1 unit	1 unit	1 unit	1 unit	1 unit	1 unit

G	H	I	J	K	L	M	N
Exterior basket	Inferior basket	Wood screws	M5 Plain screw	M5x6 Round head	M5x10 Round head	Bush	M5 Allen key
							
2 units	2 units	20 units	4 units	4 units	2 units	2 units	1 unit

RIGHT ASSEMBLY



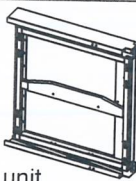
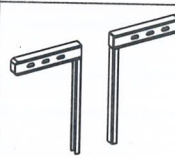
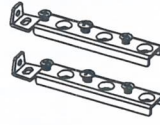



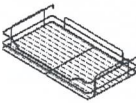
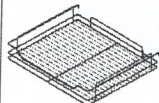






LEFT ASSEMBLY

INSTALLATION INSTRUCTION

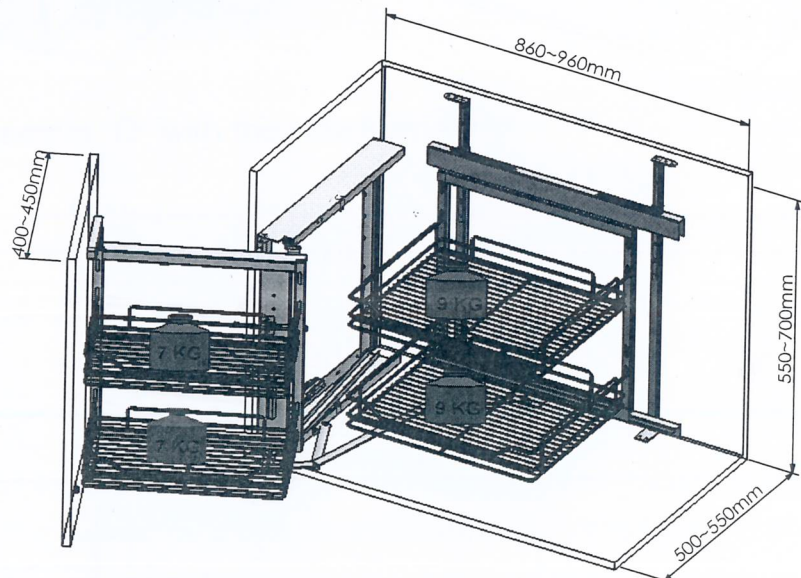
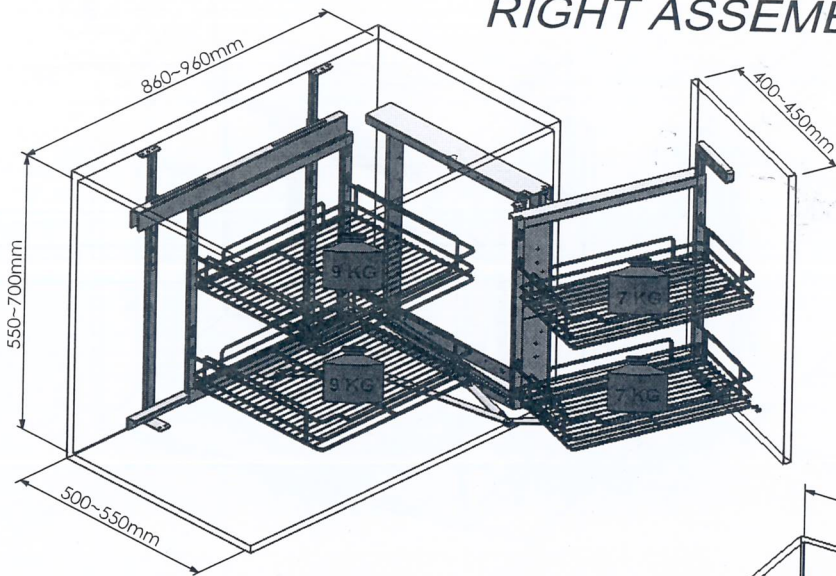
2105025

Including

A	B	C	D	E	F
Back frame	Adjustable rods	Side frame	Door connector	Door steel plate	Articulated arm
					
1 unit	1 unit	1 unit	1 unit	1 unit	1 unit

G	H	I	J	K	L	M	N
Exterior basket	Inferior basket	Wood screws	M5 Plain screw	M5x6 Round head	M5x10 Round head	Bush	M5 Allen key
							
2 units	2 units	20 units	4 units	4 units	2 units	2 units	1 unit

RIGHT ASSEMBLY



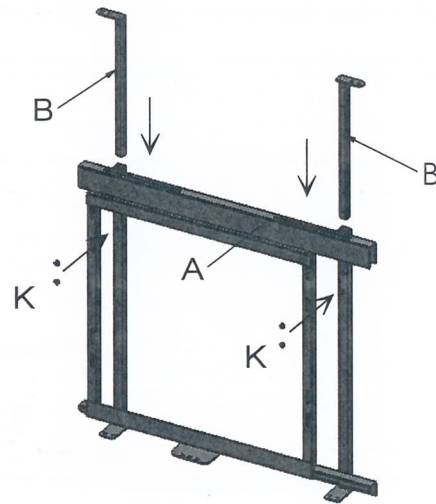
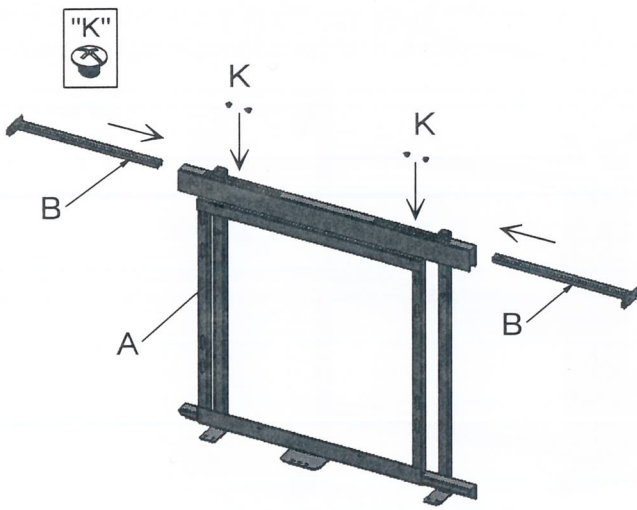
LEFT ASSEMBLY

LEFT ASSEMBLY

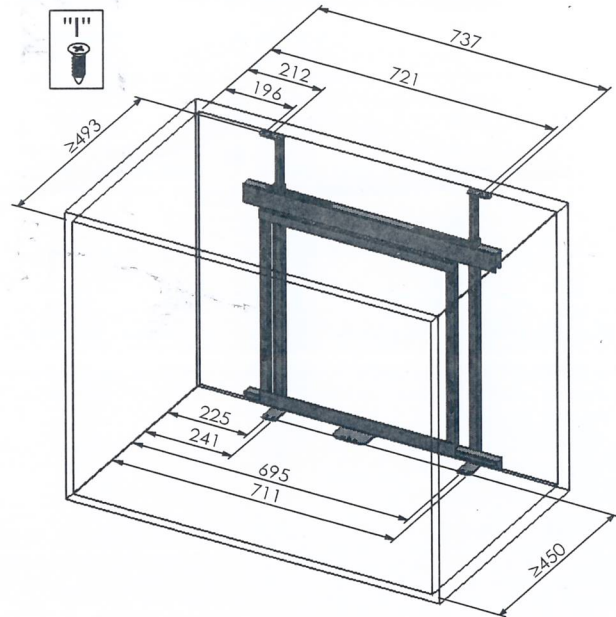
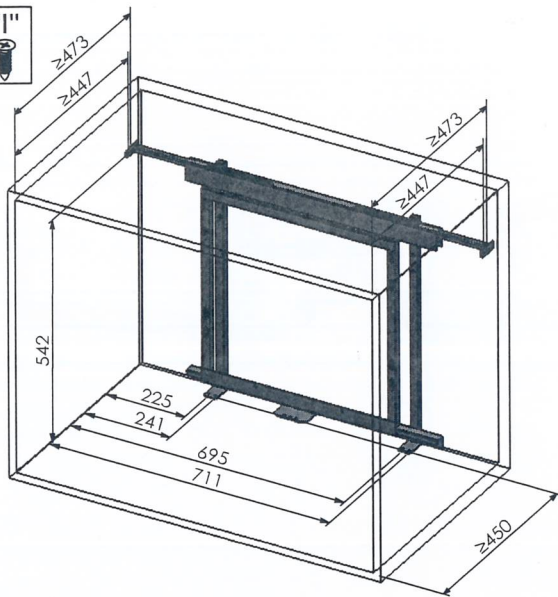
1. Assemble the adjustable rod "B" to the back frame "A".

SIDE ASSEMBLE

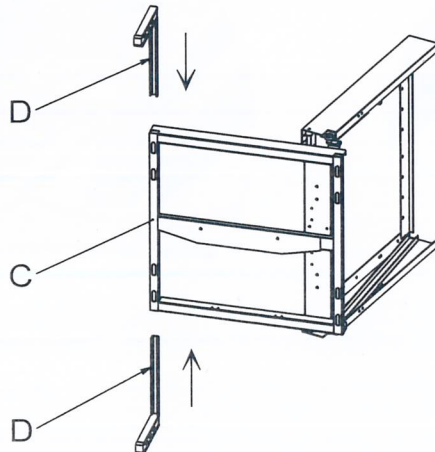
TOP ASSEMBLE



2. Fix the back frame "A" to the cabinet, according to the dimensions.

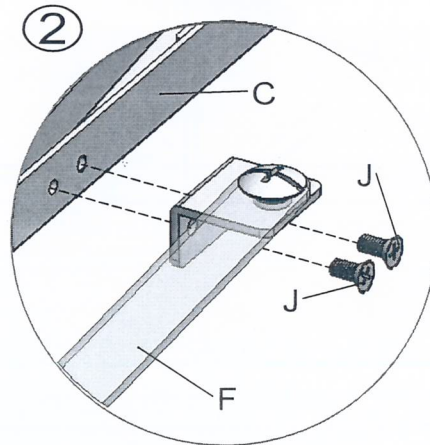
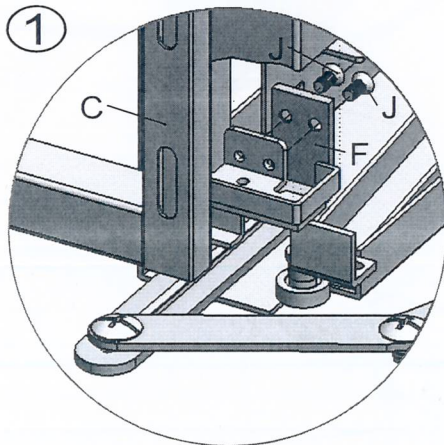
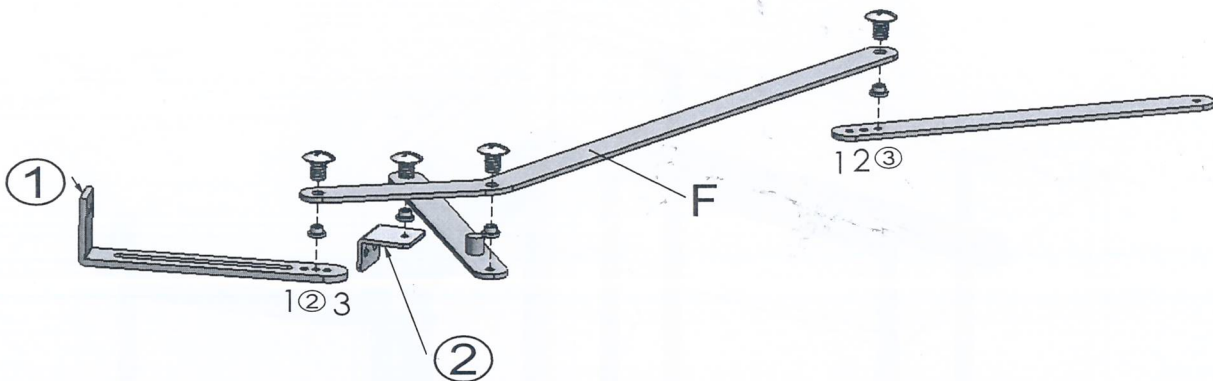
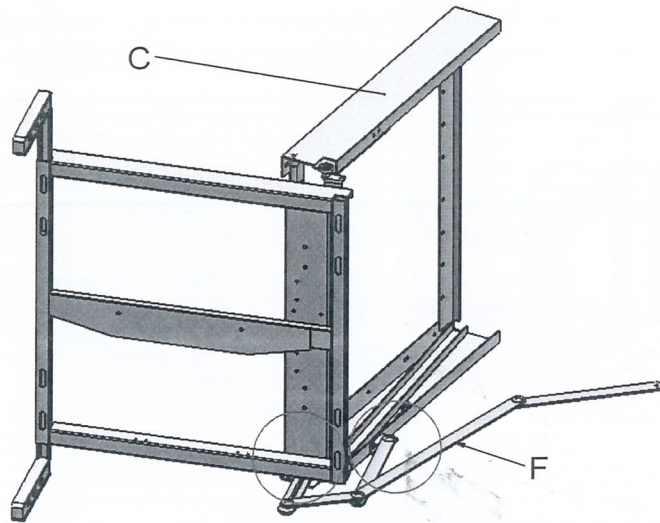


3. Assemble the door connectors "D" with the side frame "C"



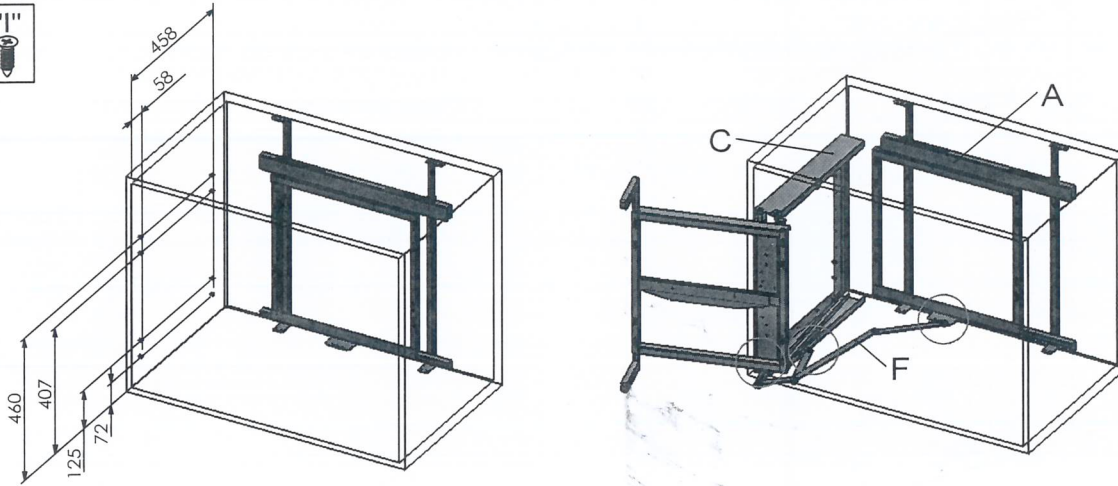
LEFT ASSEMBLY

4. Mount the articulated arm "F", according to the drawing.

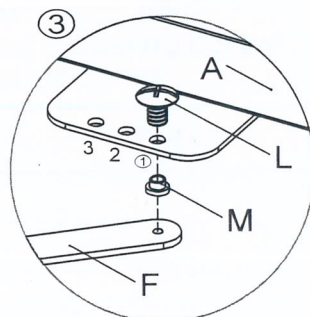
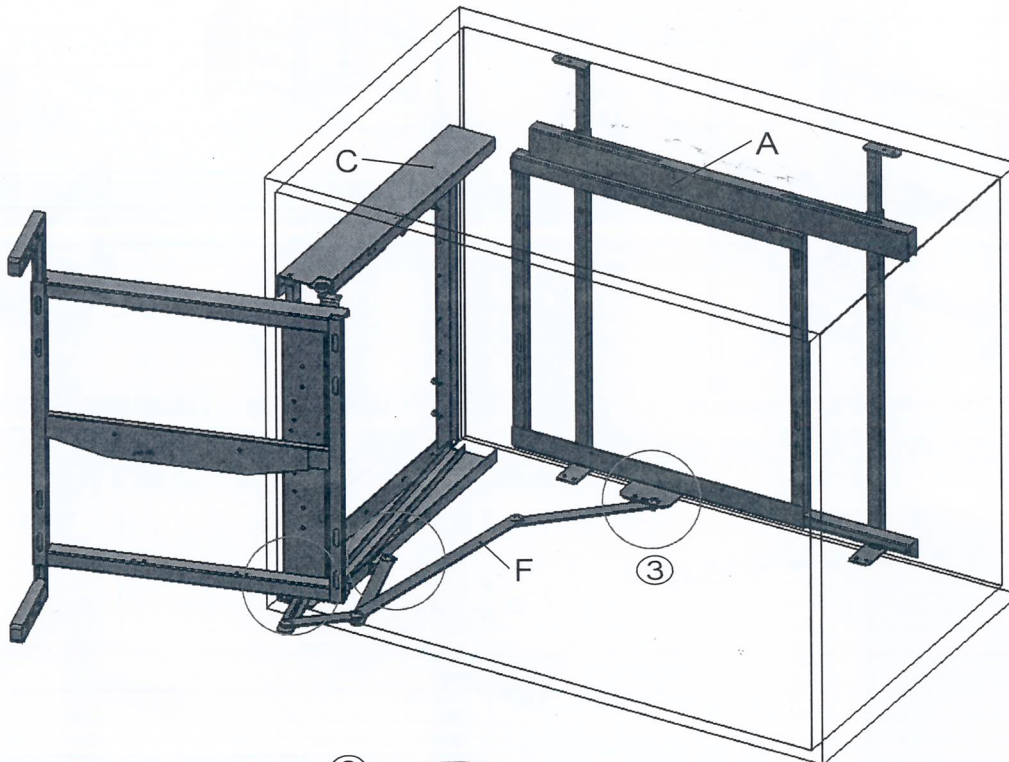


LEFT ASSEMBLY

5. Mark the place of the holes to fix side frame "C" to the cabinet, and fix them.

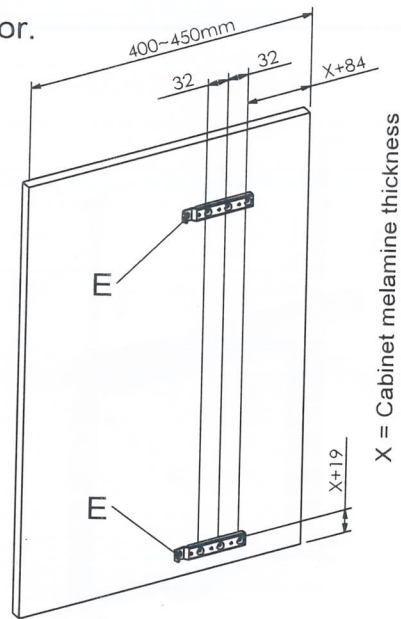


6. Fix the articulated arm "F" to the frames "A" & "C", as we show.

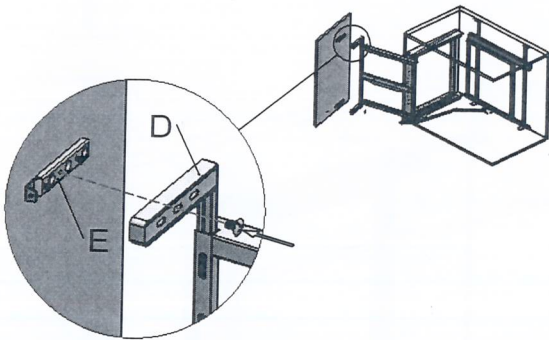


LEFT ASSEMBLY

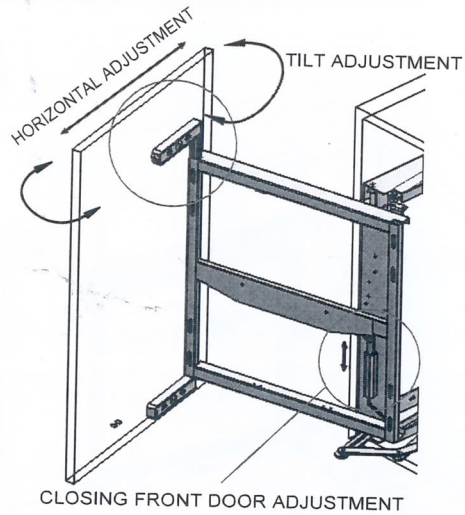
7. Screw the door steel plates "E" to the back of the door.



8. Fit the door connectors "D" to the door steel plate "E" and fix them.



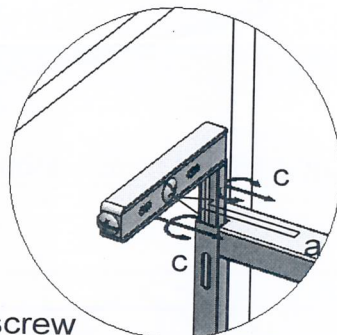
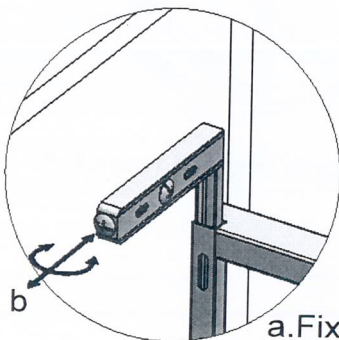
9. Adjust the front.



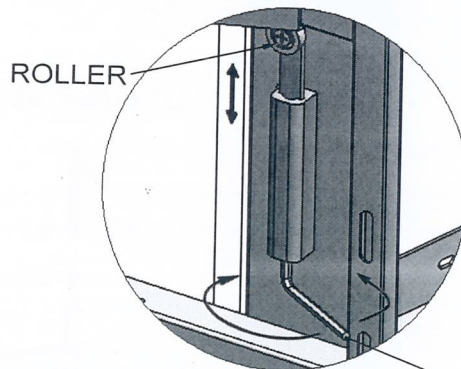
HORIZONTAL ADJUSTMENT

TILT ADJUSTMENT

CLOSING FRONT DOOR ADJUSTMENT

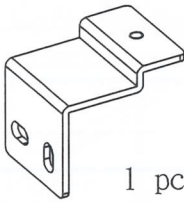





- a. Fix screw
- b. Horizontal adjusting screw
- c. Tilt adjusting screw

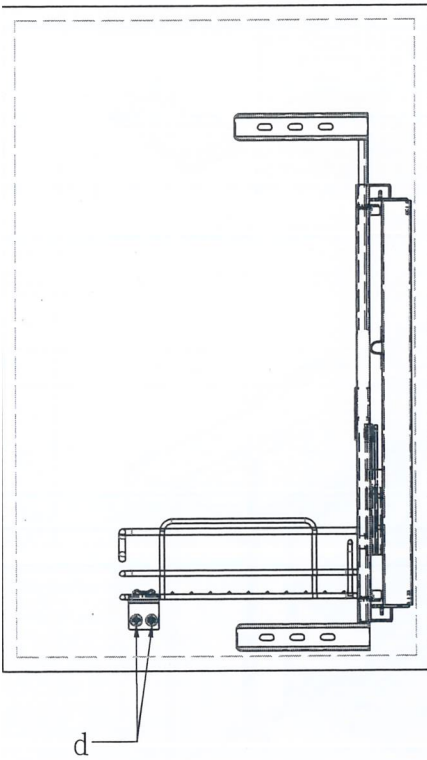


ALLEN 5

Additional Fixed Part

Fixed part	Top plate	Round head M4 x 6	Wood screw
a  1 pc	b  1 pc	c  1 pc	d  2 pcs

1. Mounting position :



2. Assembly the fixed part "a" with the wood screws "d" to cabinet panel, hang the basket, then assemble the fixed part "a" the top plate "b" with the round head "c".

